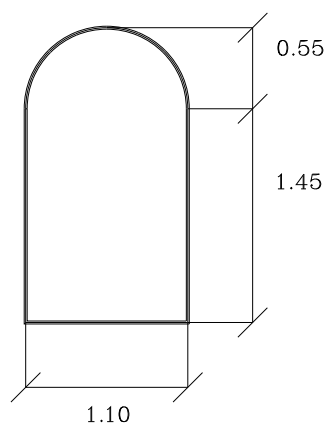


TIPUS NT207

ESCALA 1:50

$$S = 207 \text{ dm}^2$$

$$P = 57.3 \text{ dm}$$



TIPUS NT207

ESCALA 1:50

$$S = 207 \text{ dm}^2$$

$$P = 57.3 \text{ dm}$$

