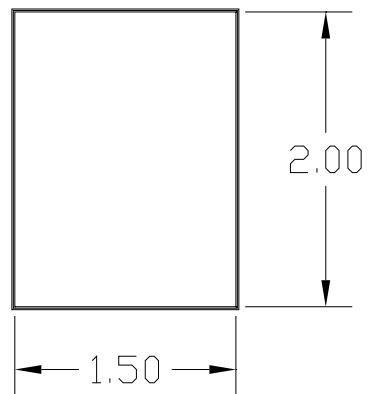


TIPUS NT300B

ESCALA 1:50

$S = 300 \text{ dm}^2$

$P = 70 \text{ dm}$



TIPUS NT300B

ESCALA 1:50

$S = 300 \text{ dm}^2$

$P = 70 \text{ dm}$

