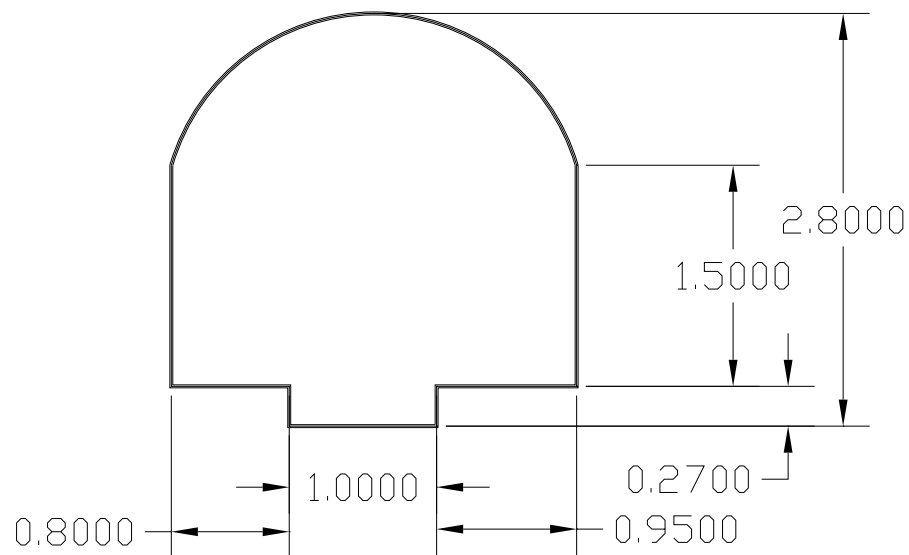


TIPUS NT648A

ESCALA 1:50

$S = 648 \text{ dm}^2$

$P = 99 \text{ dm}$



TIPUS NT648A

ESCALA 1:50

$S = 648 \text{ dm}^2$

$P = 99 \text{ dm}$

