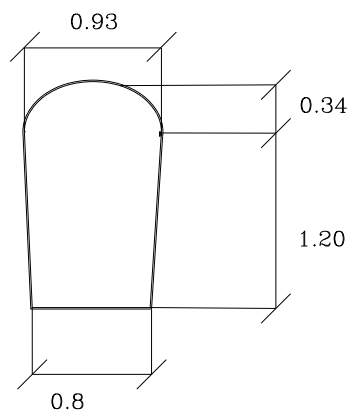


TIPUS T128C

ESCALA 1:50

$S = 128 \text{ dm}^2$

$P = 44.9 \text{ dm}$



TIPUS T128C

ESCALA 1:50

$S = 128 \text{ dm}^2$

$P = 44.9 \text{ dm}$

