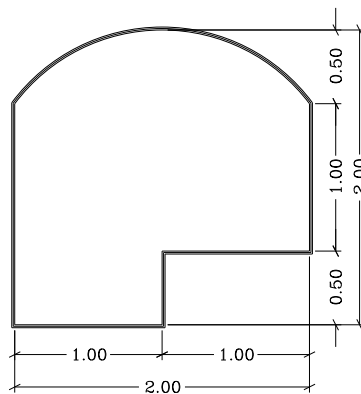


TIPUS T316

ESCALA 1:50

$S = 320 \text{ dm}^2$

$P = 73 \text{ dm}$



TIPUS T316

ESCALA 1:50

$S = 320 \text{ dm}^2$

$P = 73 \text{ dm}$

